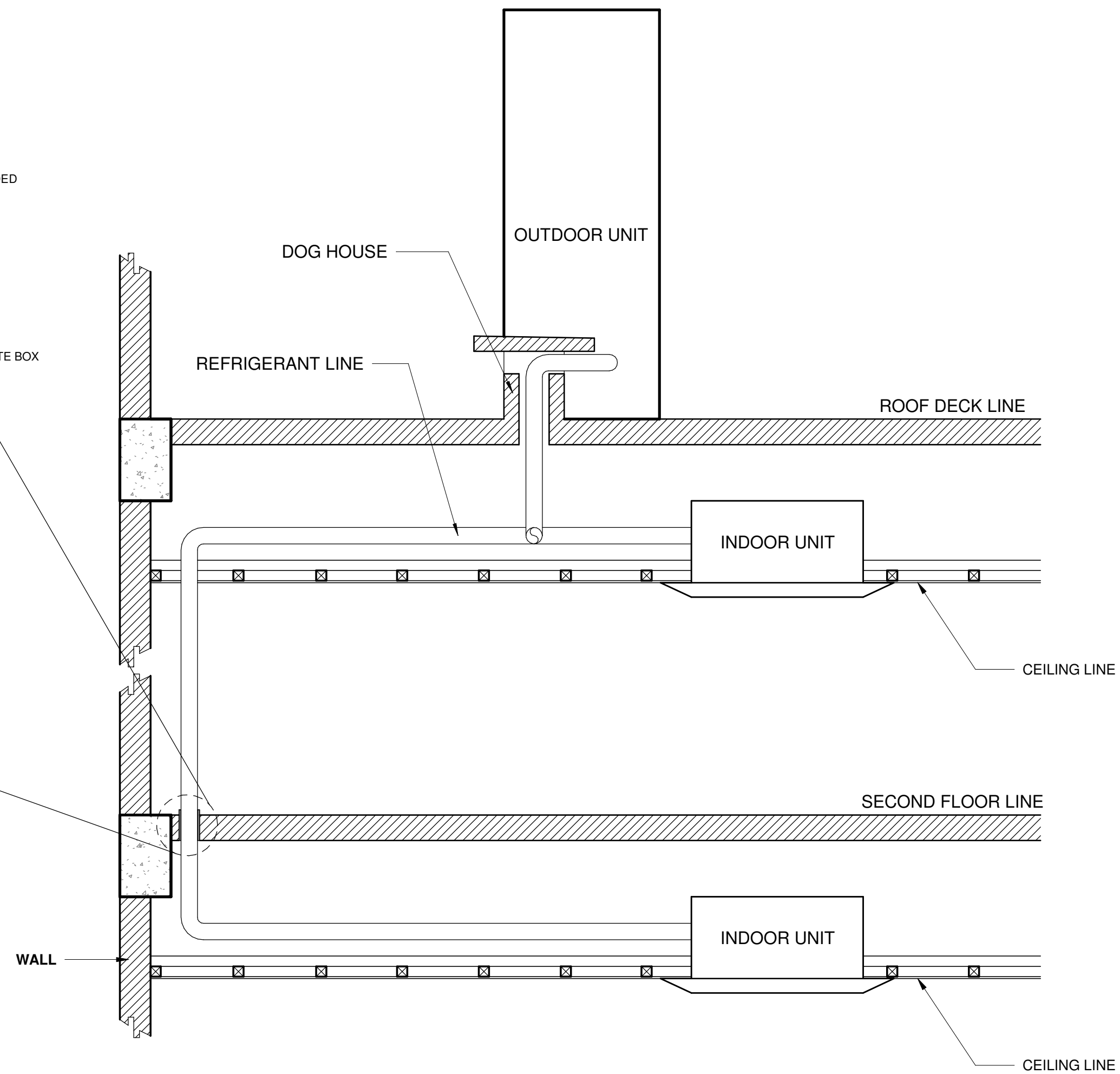
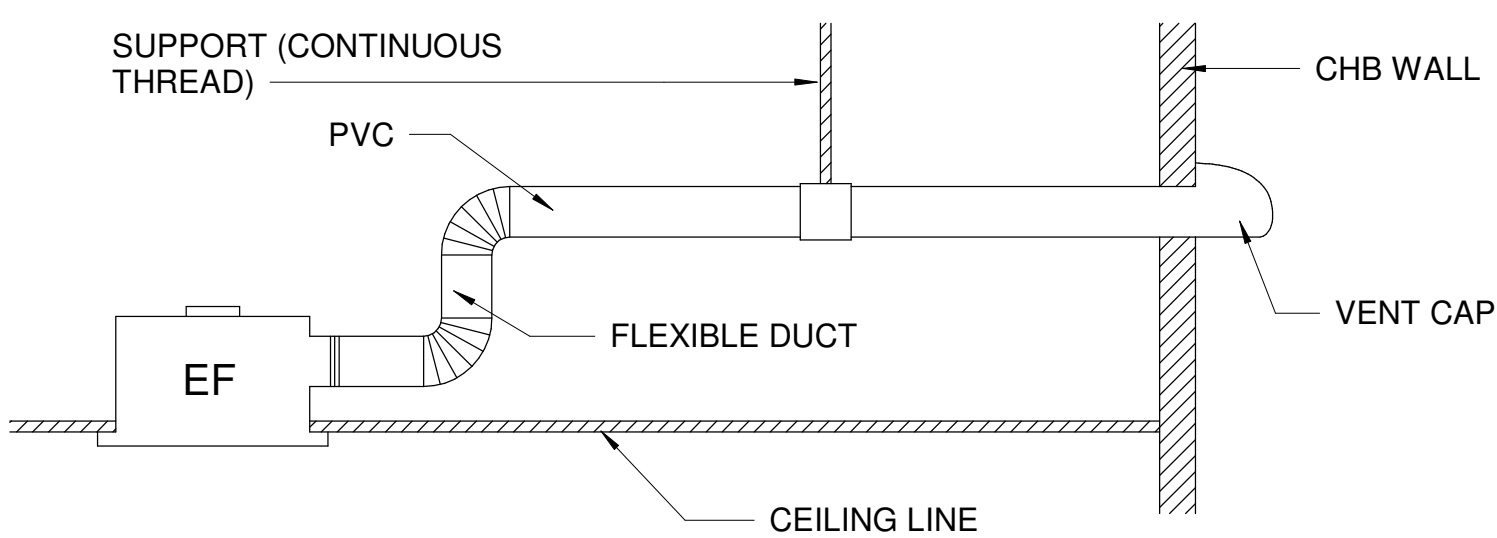


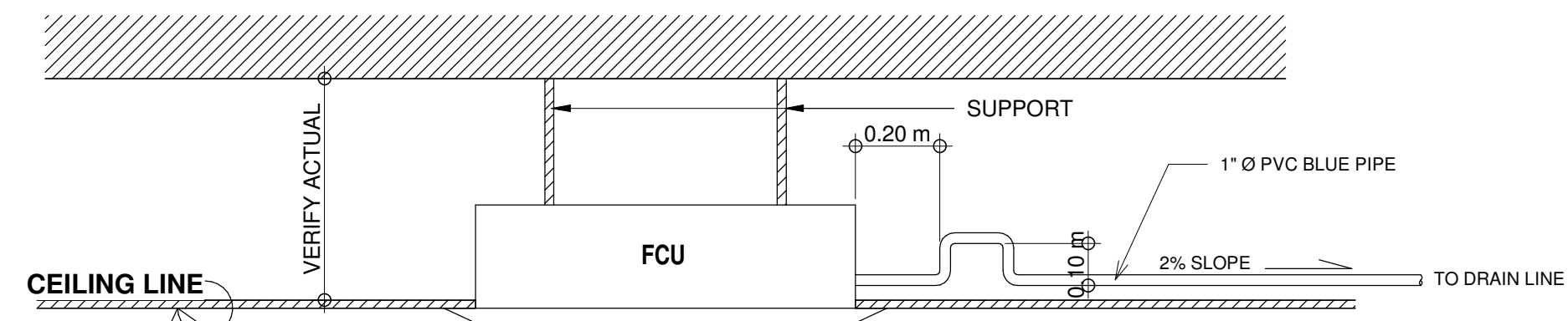
6 TRAPEZE SUPPORT DETAIL
N T S



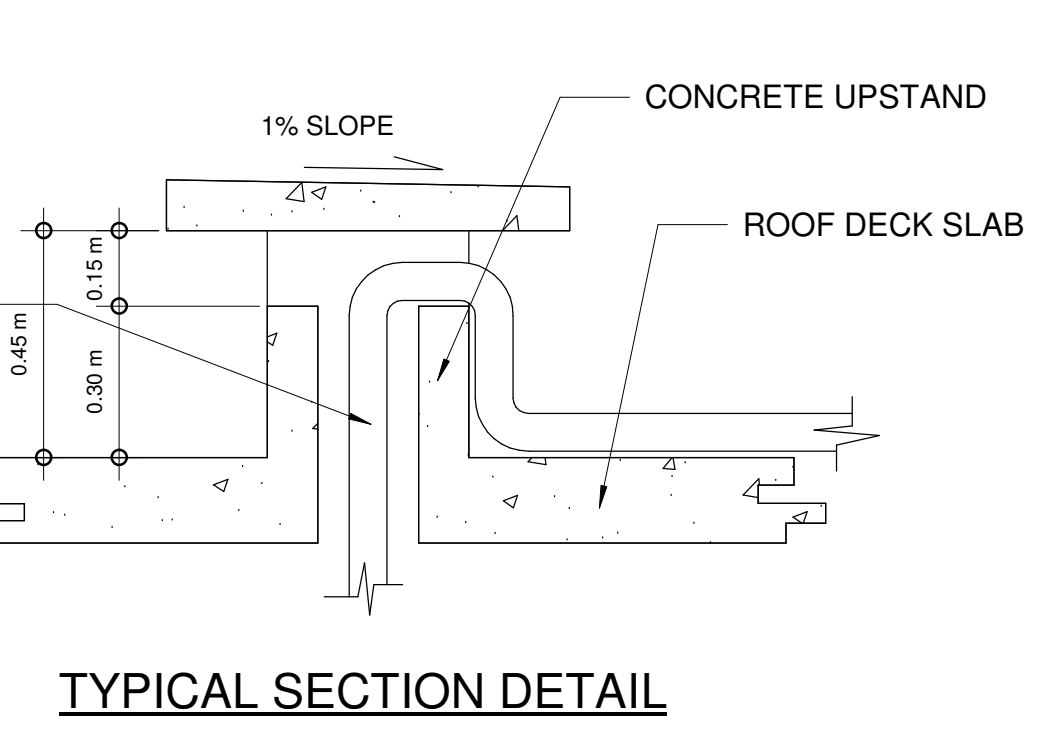
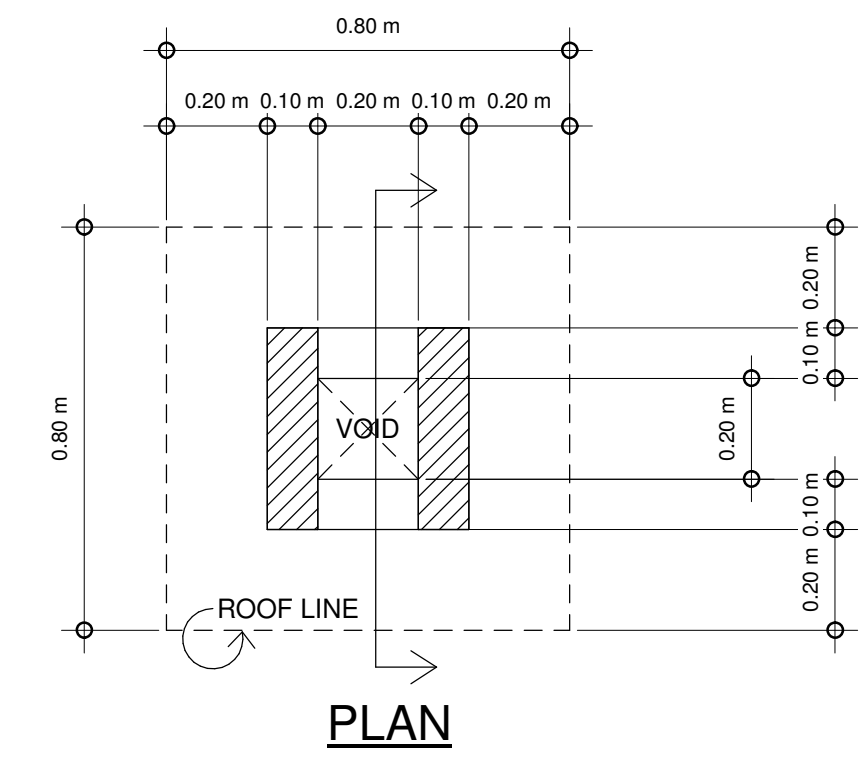
1 SECTION DETAIL



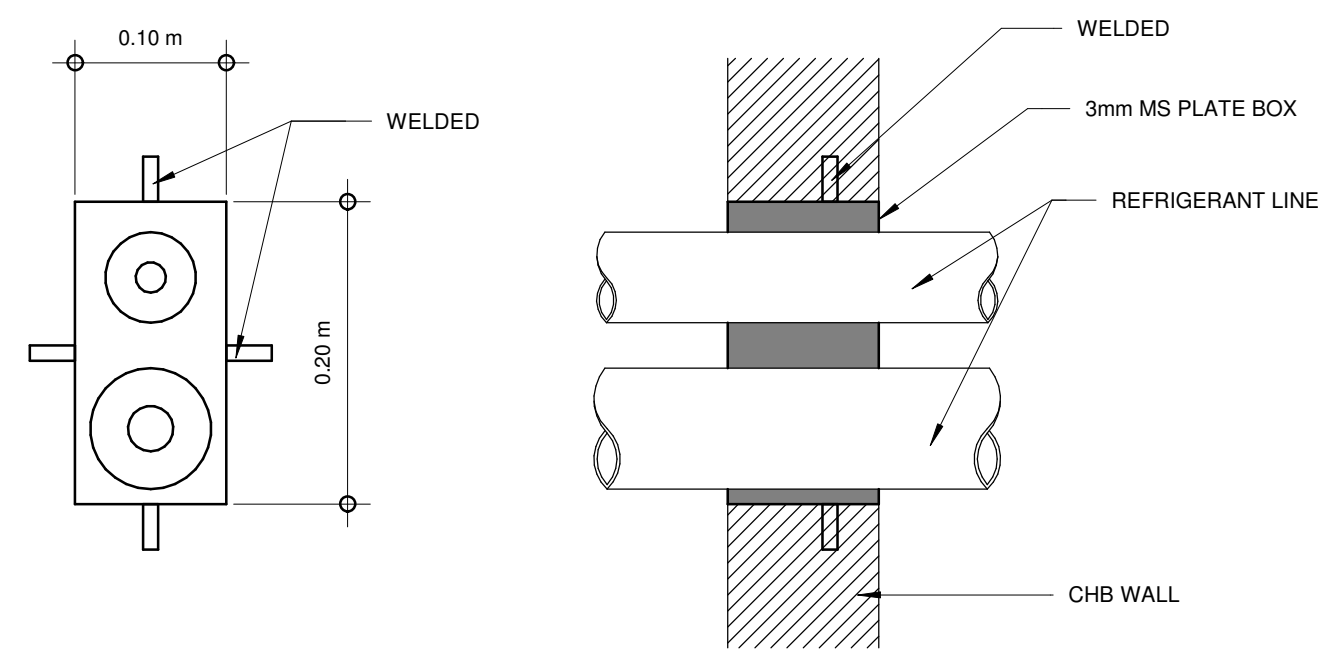
3 EXHAUST FAN DETAIL
N T S



4 CEILING CASSETTE DRAIN LINE DETAIL
N T S



2 DOG HOUSE DETAILS
N T S



5 WALL PENETRATION DETAIL
N T S

NOTE: DIMENSION REFER TO PLAN

	FROM THE OFFICE: PHYSICAL PLANNING AND DEVELOPMENT OFFICE <small>2/F 202 ADMINISTRATION BLDG. MARIANO MARCOS STATE UNIVERSITY CITY OF BATAC, 2906 ILOCOS NORTE TELEFAX: +63 (77)792-3191</small>	DRAWN BY: BJAY A. DAYANG <small>DRAFTSMAN I</small>	SIGNED & SEALED BY: <small>PROFESSIONAL MECHANICAL ENGINEER</small>	PROJECT TITLE: CONSTRUCTION OF RDE BUILDING PHASE III	CONFORME: BJORN S. SANTOS <small>DIRECTOR, RESEARCH</small>	APPROVED BY: SHIRLEY C. AGRUPIS <small>UNIVERSITY PRESIDENT</small>	SHEET CONTENTS: SECTION DETAIL DOG HOUSE DETAIL EXHAUST FAN DETAIL CEILING CASSETTE DRAIN LINE DETAIL WALL PENETRATION DETAIL TRAPEZE SUPPORT DETAIL <small>Drawings and specifications and other contract documents duly signed, stamped or sealed, as instruments of service, are the intellectual property and documents of the architect, whether the object for which they are made is executed or not. It shall be unlawful for any person to duplicate or to make copies of said documents for use in the repetition of and for other project or building, whether executed partly or in whole, without the written consent of architect or author of said document. Art. IV-sec. 338A5266</small>	SHEET NO.: M-12 12 18
	PREPARED BY: DENNIS CLYDE G. ACANTILADO <small>MECHANICAL ENGINEER</small>	<small>PRC NO.: PTR: PLACE ISSUED: DATE: TIN:</small>	LOCATION: MMSU CRL-CITY OF BATAC, ILOCOS NORTE	RECOMMENDING APPROVAL: ROMEO R. DULDUALO <small>DIRECTOR, PPDO</small>				